

Built-In Induction Range

SR-184R [120V 1800W]

* Upgraded version of SR-183R

FEATURES

- SmartScan® technology: voltage, pan size and type recognition
- 5mm thick tempered glass cooktop
- Choice of power or temperature mode
- Power mode: 1-20 levels [350-1800W]
- Temperature mode: 90-440°F [in 20°F increments, except 170-180/260-270/350-360°F]
- Large LED power/temp display
- Displays in °F or °C
- Simple knob-set thermostat control
- Touch-sensitive control box with stainless steel frame
- Power ON/OFF touch pad with indicator light
- Cook & Temp mode indicator lights
- Over or under voltage protection
- CETL / ETL-Sanitation to NSF-4 / FCC (SR-183R only)



CONSTRUCTION

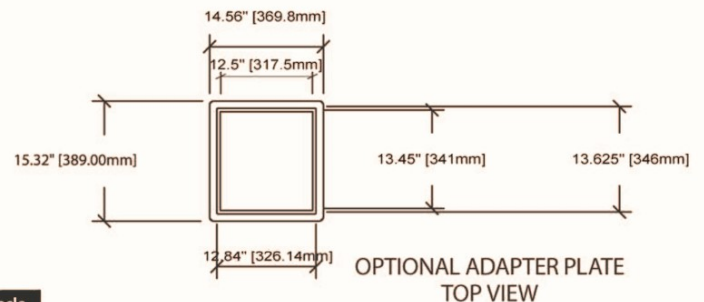
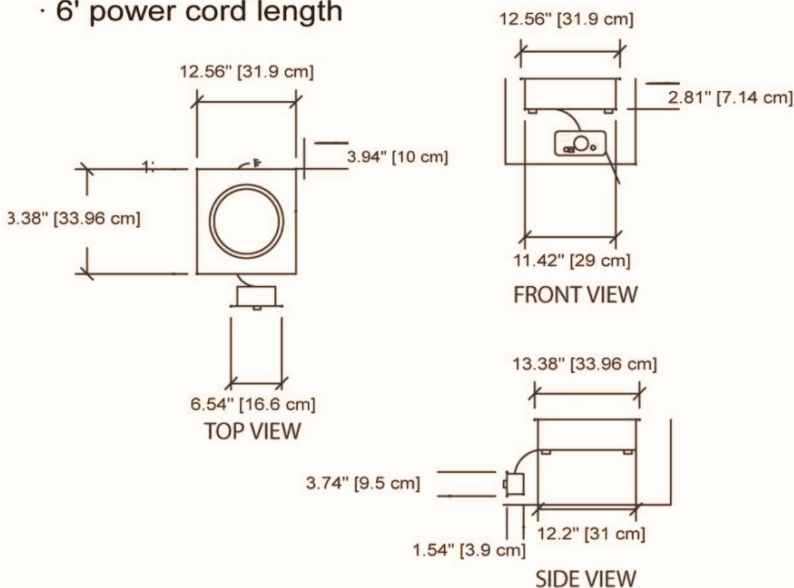
- Built-in range with installation-ready modular flanged base
- Flush mounting flange for built-in installation (optional)
- Additional filter to keep unit clean of dust and debris (optional)
- Separate control panel with 40" cable for easy front mounting
- 100% silicon rubber protective top seal
- 6' power cord length



Optional Mounting Flange (AP-1826)



Optional Filter (#30192)



[EC] Electric Requirements:

Model	Voltage	Phase	Hertz	Watts	Amps	Plug	Receptacle
SR-184R	110-120 AC	1	60	1800	15	NEMA 5-15P	NEMA 5-15R

Key Dimensions & Shipping Information:

Unit Width	Unit Depth	Unit Height	Weight*	Single Unit Shipping Carton*		
				Width	Depth	Height
12.56" [31.9 cm]	13.38" [33.96 cm]	3.94" [10 cm]	Unit: 12.79 lbs Shipping: 15 lbs	18"	20"	6.75"

CONTROL PANEL CUTOUT 3.25"H x 5.3"W	RANGE CUTOUT 12"W x 12.75"D
--	--------------------------------